

BAXI



LUNA 3 COMFORT

SPARE PARTS CATALOGUE

- March 2014 -

HOW TO READ THE SPARE PARTS CATALOGUE

In the spare part catalogue, after the exploded diagrams, there are the components lists of the boilers; this is the meaning of the different columns:

| | |
|-------------|-------------------------------------------------------------------------------|
| Pos. | Identification number of the component in the exploded diagram of the boiler. |
| Description | Short description of the component. |
| Code | BAXI S.p.A. code of the component. |
| Tab. XX | XX is the exploded diagram number of the boiler taken into consideration. |

Until 31st December 2011

From serial number Date (year and week) identifying the beginning of production of a component (taken from the serial number of the boiler).
e.g. B005: year 2000 (B identifies the decade 2000-2009; 0 identifies the year) – 5th week.
If the box is empty, the component is in use from the beginning of production of the boiler.

To serial number Date (year and week) identifying the end of production of a component (taken from the serial number of the boiler).
e.g. B012: year 2000 (B identifies the decade 2000-2009; 0 identifies the year) – 12th week.
If the box is empty, the component is still in use.

Interchangeable It identifies the interchangeability between the new component and the old one.
YES: components are interchangeable.
NO: components are not interchangeable

From the 1st January 2012

From serial number Date (year and week) identifying the beginning of production of a component (taken from the serial number of the boiler).
e.g. 1205: year 2012 (1 identifies the decade 2010-2019; 2 identifies the year) – 5th week.
If the box is empty, the component is in use from the beginning of production of the boiler.

To serial number Date (year and week) identifying the end of production of a component (taken from the serial number of the boiler).
e.g. 1235: year 2012 (1 identifies the decade 2010-2019; 2 identifies the year) – 35th week.
If the box is empty, the component is still in use.

Interchangeable It identifies the interchangeability between the new component and the old one.
YES: components are interchangeable.
NO: components are not interchangeable.

TABELLA COLLEGAMENTO CODICE CALDAIA - ESPLOSO
TABLEAU CONNECTION CODEX CHAUDIERE - VUE ECLATEE
BOILERS CONNECTION BOARD - EXPLODED VIEW

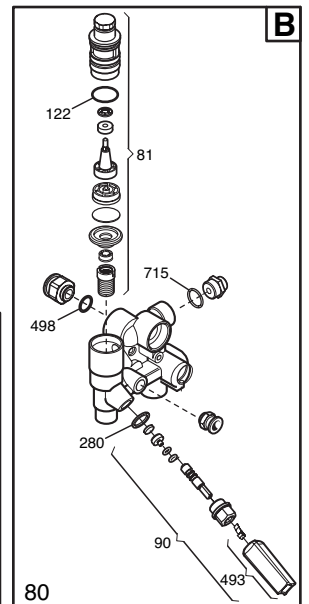
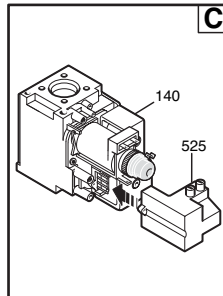
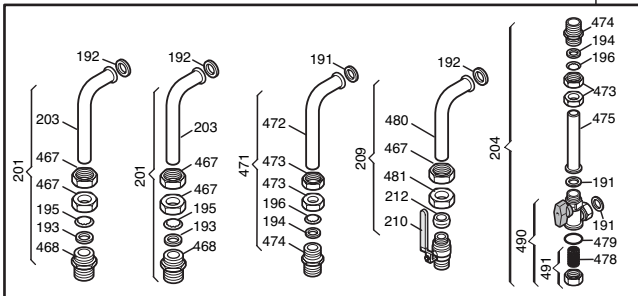
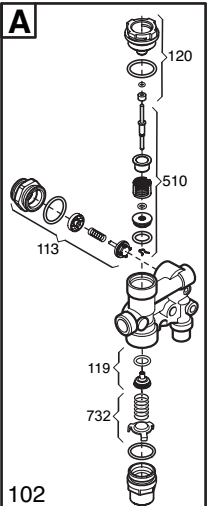
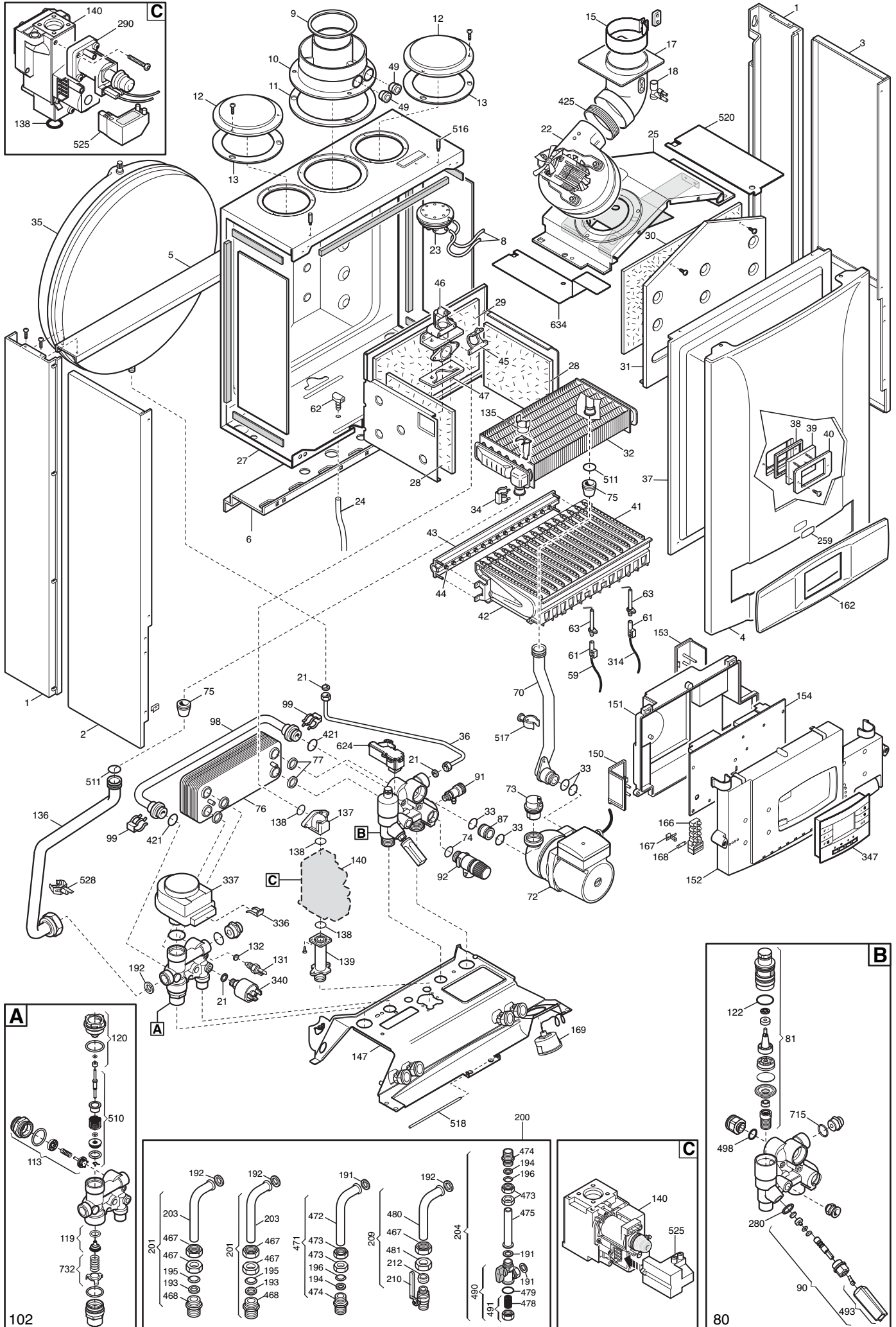
| BOILER CODE | BOILER DESCRIPTION | EXPLODED REF. |
|-----------------------|------------------------------|--------------------------|
| CODICE CALDAIA | DESCRIZIONE CALDAIA | RIF. ESPLOSO |
| CODIGO CALDERA | DESCRIPCION CALDERA | REF. EXPLOSIONADO |
| CODE CHAUDIÈRE | DESCRIPTION CHAUDIÈRE | RÉF. EXPLOSÉE |
| CSE455243580/1 | LUNA3 COMFORT 1.240 Fi | Tab 232 |
| CSE455243582 | LUNA3 COMFORT 1.240 Fi | Tab 504 |
| CSE451243580/1 | LUNA3 COMFORT 1.240 i | Tab 231 |
| CSE451243582 | LUNA3 COMFORT 1.240 i | Tab 231 |
| CSE455313580/1 | LUNA3 COMFORT 1.310 Fi | Tab 232 |
| CSE455313582 | LUNA3 COMFORT 1.310 Fi | Tab 504 |
| CSE456243581 | LUNA3 COMFORT 240 Fi | Tab 94 |
| CSE456243580 | LUNA3 COMFORT 240 Fi | Tab 94 |
| CSE452243580 | LUNA3 COMFORT 240 i | Tab 95 |
| CSE452243581 | LUNA3 COMFORT 240 i | Tab 95 |
| CSE456243583 | LUNA3 COMFORT 240Fi | Tab 503 |
| CSE456243582 | LUNA3 COMFORT 240Fi | Tab 503 |
| CSE452243583 | LUNA3 COMFORT 240i | Tab 344 |
| CSE452243582 | LUNA3 COMFORT 240i | Tab 344 |
| CSE456313580 | LUNA3 COMFORT 310 Fi | Tab 94 |
| CSE456313581 | LUNA3 COMFORT 310 Fi | Tab 94 |
| CSE456313584 | LUNA3 COMFORT 310Fi | Tab 503 |
| CSE456313582/3 | LUNA3 COMFORT 310Fi | Tab 503 |

| № Pos. | Описание | Коды/ Code | LUNA3 COMFORT 1.240 i | LUNA3 COMFORT 1.240 i | LUNA3 COMFORT 240 i | LUNA3 COMFORT 240 i | LUNA3 COMFORT 240i | LUNA3 COMFORT 1.240 Fi | LUNA3 COMFORT 1.240 Fi | LUNA3 COMFORT 1.310 Fi | LUNA3 COMFORT 1.310 Fi | LUNA3 COMFORT 240 Fi | LUNA3 COMFORT 240 Fi | LUNA3 COMFORT 240Fi | LUNA3 COMFORT 310 Fi | LUNA3 COMFORT 310 Fi | LUNA3 COMFORT 310Fi | LUNA3 COMFORT 240i | LUNA3 COMFORT 240Fi | LUNA3 COMFORT 310Fi | До серийного номера | Начиная с серийного номера | Взаимозаменяемость | Код новой детали | модели LUNA3 COMFORT |
|--------|-----------------------------------------------|---------------|-----------------------|-----------------------|---------------------|---------------------|--------------------|------------------------|------------------------|------------------------|------------------------|----------------------|----------------------|---------------------|----------------------|----------------------|---------------------|--------------------|---------------------|---------------------|---------------------|----------------------------|--------------------|------------------|----------------------|
| | | | CSE451243580/1 | CSE451243582 | CSE452243580 | CSE452243581 | CSE452243582 | CSE45243580/1 | CSE45243582 | CSE45313580/1 | CSE45313582 | CSE456243580 | CSE456243581 | CSE456243582 | CSE456313580 | CSE456313581 | CSE456313582/3 | CSE452243583 | CSE456243583 | CSE456313584 | | | | | |
| 36 | трубка расширительного бака | 5653290 | X | X | X | X | X | X | X | X | X | X | X | X | X | X | X | X | X | X | | | | | XXX |
| 37 | передняя панель камеры сгорания в сборе | 5653710 | | | | | | X | | | | X | X | | | | | | | | | B734 | YES | | XXX |
| 37 | изоляционная панель | 5655750 | | | | | | | | | | | | | | | X | | | | | | | | XXX |
| 37 | изоляционная панель | 5656490 | | | | | | X | | | | X | X | | | | | | | | | B733 | | | XXX |
| 37 | изоляционная панель | 5656500 | | | | | | | | X | X | | | | X | X | | | | | | | | | XXX |
| 38 | прокладка глазка контроля пламени | 5401610 | | | | | | X | X | X | X | X | X | X | X | X | X | | | X | X | | | | XXX |
| 39 | стекло глазка контроля пламени | 5203930 | | | | | | X | X | X | X | X | X | X | X | X | X | | | X | X | | | | XXX |
| 40 | рамка глазка контроля пламени | 5103360 | | | | | | X | X | | | X | X | X | X | X | X | | | X | X | | | | XXX |
| 40 | рама смотрового стекла изоляционной панели | 5115590 | | | | | | | | X | X | | | | | | | | | | | | | | XXX |
| 41 | горелка в сборе | 5653300 | X | X | X | X | X | X | X | X | X | X | X | X | X | X | X | X | X | X | X | | | | XXX |
| 42 | элемент горелки | 5604090 | X | X | X | X | X | X | X | X | X | X | X | X | X | X | X | X | X | X | X | | | | XXX |
| 43 | рампа подачи газа с инжекторами | 606140 | X | X | X | X | X | X | X | | | X | X | X | | | | | X | X | | | | | XXX |
| 43 | рампа подачи газа с инжекторами | 5680970 | | | | | | | | X | X | | | | | | X | X | X | | | | | | XXX |
| 44 | комплект инжекторов для сжиженного газа | 601520 | X | X | X | X | X | X | X | | | X | X | X | | | | | X | X | | | | | XXX |
| 44 | комплект инжекторов для природного газа | 608430 | | | | | | | | X | X | | | | | | X | X | X | | | | | | XXX |
| 44 | комплект инжекторов для природного газа | 608440 | X | X | X | X | X | X | X | | | X | X | X | | | | | X | X | | | | | XXX |
| 44 | комплект инжекторов для сжиженного газа | 608450 | | | | | | | | X | X | | | | | | X | X | X | | | | | | XXX |
| 45 | прокладка ramпы подачи газа | 5407940 | X | X | X | X | X | X | X | X | X | X | X | X | X | X | X | X | X | X | X | | | | XXX |
| 46 | фланец с прокладкой ramпы подачи газа в сборе | 5657180 | X | X | X | X | X | X | X | X | X | X | X | X | X | X | X | X | X | X | X | | | | XXX |
| 47 | прокладка ramпы подачи газа | 5407810 | | | | | | X | X | X | X | X | X | X | X | X | X | | | X | X | | | | XXX |
| 48 | основание горелки | 5116650 | X | X | X | X | X | | | | | | | | | | | X | | | | | | | XXX |
| 49 | колпачок фланца дымохода | 5207070 | | | | | | X | X | X | X | X | X | X | X | X | X | | | X | X | | | | XXX |
| 59 | кабель электрода зажигания | 8419050 | X | X | X | X | X | X | X | X | X | X | X | X | X | X | X | X | X | X | X | | | | XXX |
| 61 | изоляционный колпачок электрода | 5404920 | X | X | X | X | X | | | | | | | | | | | X | | | | | | | XXX |
| 61 | изоляционный колпачок электрода | 5407830 | | | | | | X | X | X | X | X | X | X | X | X | X | | | X | X | | | | XXX |
| 62 | штуцер компенсационной трубки | 5409570 | | | | | | X | X | X | X | X | X | X | X | X | X | | | X | X | | | | XXX |
| 63 | электрод зажигания (или контроля пламени) | 8422570 | X | X | X | X | X | X | X | X | X | X | X | X | X | X | X | X | X | X | X | | | | XXX |
| 70 | трубка соединительная в сборе | 5681020 | | | | | | X | X | | | X | X | | X | X | | | | | | B719 | | | XXX |
| 70 | Трубка насоса/теплообменника | 5688900 | | | | | | X | X | | | X | X | | X | X | | | | | | | B720 | NO | XXX |
| 70 | Трубка насоса/теплообменника | 711192200 | | | | | | | | | | | | | | | | X | X | X | | | | | XXX |
| 72 | циркуляционный насос | 5659550 | | | | | | | | X | X | | | | X | X | X | | | | X | | | | XXX |
| 72 | циркуляционный насос | 5661200 | X | X | X | X | X | X | X | | | X | X | X | | | | X | X | | | | | | XXX |
| 73 | автоматический воздухоотводчик | 607290 | X | X | X | X | X | X | X | X | X | X | X | X | X | X | X | X | X | X | X | | | | XXX |
| 74 | тороидальная прокладка | 5406360 | X | X | X | X | X | X | X | X | X | X | X | X | X | X | X | X | X | X | X | | | | XXX |
| 75 | прокладка | 5404670 | | | | | | X | X | X | X | X | X | X | X | X | X | | | X | X | | | | XXX |
| 76 | вторичный пластинчатый теплообменник | 5655780 | | | | | | | | | | | | | X | X | | | | | | B649 | | | XXX |
| 76 | Теплообменник ГВС на 12 пластин | 5686670 | | | X | X | X | | | | | X | X | X | | | | | | | | | | | XXX |
| 76 | Теплообменник ГВС на 14 пластин | 5686680 | | | | | | | | | | | | | X | X | | | | | | | B730 | YES | XXX |
| 76 | Теплообменник ГВС на 16 пластин | 5686690 | | | | | | | | | | | | | X | X | | | | | | B729 | B650 | YES | XXX |
| 76 | Теплообменник ГВС на 12 пластин | 711612800 | | | | | | | | | | | | | | | | X | X | | | | | | XXX |
| 76 | Теплообменник ГВС на 14 пластин | 711613000 | | | | | | | | | | | | | | | | | | | X | | | | XXX |
| 77 | прокладка вторичного теплообменника | 5404520 | | | X | X | X | | | | | X | X | X | X | X | X | | | | | | | | XXX |
| 77 | прокладка вторичного теплообменника | 711613500 | | | | | | | | | | | | | | | | X | X | X | | | | | XXX |
| 80 | гидравлический узел подачи | 5655650 | X | X | | | | X | X | X | X | | | | | | | | | | | | | | XXX |
| 80 | гидравлический узел подачи | 5680920 | | | X | X | | | | | | X | X | | | | X | X | | | | | | | XXX |
| 80 | гидравлический узел подачи | 5693860 | | | | | X | | | | | | | X | | | X | | | | | | | | XXX |
| 80 | входная гидравлическая группа | 711608300 | | | | | | | | | | | | | | | | X | X | X | | | | | XXX |
| 81 | датчик протока ГВС в сборе | 620340 | | | X | X | X | | | | | X | X | X | X | X | X | X | X | X | | | | | XXX |
| 87 | Соединительный элемент насоса | 631680 | X | X | X | X | X | X | X | X | X | X | X | X | X | X | X | X | X | X | | | 1302 | YES | XXX |
| 87 | трубка возврата из системы отопления | 5210710 | X | X | X | X | X | X | X | X | X | X | X | X | X | X | X | | | | | 1301 | | | XXX |

| № Pos. | Описание | Коды/ Code | LUNA3 COMFORT 1.240 i | LUNA3 COMFORT 1.240 i | LUNA3 COMFORT 240 i | LUNA3 COMFORT 240 i | LUNA3 COMFORT 240i | LUNA3 COMFORT 1.240 Fi | LUNA3 COMFORT 1.240 Fi | LUNA3 COMFORT 1.310 Fi | LUNA3 COMFORT 1.310 Fi | LUNA3 COMFORT 240 Fi | LUNA3 COMFORT 240 Fi | LUNA3 COMFORT 240Fi | LUNA3 COMFORT 310 Fi | LUNA3 COMFORT 310 Fi | LUNA3 COMFORT 310Fi | LUNA3 COMFORT 240i | LUNA3 COMFORT 240Fi | LUNA3 COMFORT 310Fi | LUNA3 COMFORT 310Fi | До серийного номера | Начиная с серийного номера | Взаимозаменяемость | Код новой детали | модели LUNA3 COMFORT |
|--------|--------------------------------------------------------|---------------|-----------------------|-----------------------|---------------------|---------------------|--------------------|------------------------|------------------------|------------------------|------------------------|----------------------|----------------------|---------------------|----------------------|----------------------|---------------------|--------------------|---------------------|---------------------|---------------------|---------------------|----------------------------|--------------------|------------------|----------------------|
| | | | CSE451243580/1 | CSE451243582 | CSE452243580 | CSE452243581 | CSE452243582 | CSE45243580/1 | CSE45243582 | CSE45313580/1 | CSE45313582 | CSE456243580 | CSE456243581 | CSE456243582 | CSE456313580 | CSE456313581 | CSE456313582/3 | CSE452243583 | CSE456243583 | CSE456243583 | CSE456313584 | | | | | |
| 201 | подсоединения контура отопления | 5625950 | X | X | X | X | X | X | X | X | X | X | X | X | X | X | X | X | X | X | | | | | XXX | |
| 203 | трубка подачи-возврата контура отопления | 5628020 | X | X | X | X | | X | X | X | X | X | X | X | X | X | X | | | | | | | | XXX | |
| 204 | кран холодной воды | 5625980 | X | X | X | X | X | X | X | X | X | X | X | X | X | X | X | X | X | X | | | | | XXX | |
| 209 | газовый кран в сборе | 5627620 | X | X | X | X | X | X | X | X | X | X | X | X | X | X | X | X | X | X | | | | | XXX | |
| 210 | газовый кран | 9950830 | X | X | X | X | X | X | X | X | X | X | X | X | X | X | X | X | X | X | | | | | XXX | |
| 212 | биконическая прокладка | 5408330 | X | X | X | X | | X | X | X | X | X | X | | X | X | | | | | | | | | XXX | |
| 241 | вытяжной колпак в сборе | 5669470 | X | X | X | X | X | | | | | | | | | | | X | | | | | | | XXX | |
| 242 | предохр. термостат отходящих газов 60 C (датчик тяги) | 606930 | X | X | X | X | X | | | | | | | | | | | X | | | | | | | XXX | |
| 259 | марка VAXI | 5681120 | X | X | X | X | X | X | X | X | X | X | X | X | X | X | X | X | X | X | | | | | XXX | |
| 280 | прокладка 14,2x18x1,5 AL -18- | 5207730 | | | X | X | X | | | | | X | X | X | X | X | X | X | X | X | | | | | XXX | |
| 286 | гайка М5 | 8240530 | X | X | X | X | X | | | | | | | | | | | X | | | | | | | XXX | |
| 290 | модулятор в сборе VK4105M | 5665230 | X | X | X | X | X | X | X | | | X | X | X | X | X | X | | | | | | | | XXX | |
| 290 | модулятор в сборе VK4105M | 5665600 | | | | | | | | X | X | | | | | | | | | | | | | | XXX | |
| 314 | кабель датчика пламени | 8418870 | X | X | X | X | X | X | X | X | X | X | X | X | X | X | X | X | X | X | | | | | XXX | |
| 336 | фиксирующая пружина | 8380680 | X | X | X | X | X | X | X | X | X | X | X | X | X | X | X | X | X | X | | | | | XXX | |
| 337 | блокиратор штока трёхходового клапана | 5213790 | X | X | | | | X | X | X | X | | | | | | | | | | | | | | XXX | |
| 337 | мотор трёхходового клапана | 5647340 | | | X | X | | | | | | X | X | | | X | X | | | | | B952 | | | XXX | |
| 337 | мотор трёхходового клапана | 5694580 | | | | | X | | | | | | | X | | | X | X | X | X | | | | | XXX | |
| 340 | предохранительный прессостат системы отопления | 5663750 | X | | X | X | | X | | X | | X | X | | X | X | | | | | | B714 | | | XXX | |
| 340 | предохранительный прессостат системы отопления | 9951690 | X | | X | X | | X | | X | | X | X | | X | X | | | | | | | B715 | YES | XXX | |
| 347 | выносная панель управления | 5682690 | X | X | X | X | X | X | X | X | X | X | X | X | X | X | X | X | X | X | | | | | XXX | |
| 421 | кольцевая прокладка 11,91 x 2,62 NBR | 5408270 | X | X | X | X | | X | X | X | X | X | X | X | X | X | | | | | | | | | XXX | |
| 425 | прокладка вентилятора | 5412270 | | | | | | X | X | X | X | X | X | X | X | X | | | X | X | | | | | XXX | |
| 467 | гайка G3/4 | 9950310 | X | X | X | X | | X | X | X | X | X | X | X | X | X | | | | | | | | | XXX | |
| 468 | ниппель G3/4 | 5627970 | X | X | X | X | | X | X | X | X | X | X | | X | X | | | | | | | | | XXX | |
| 471 | выход системы ГВС из котла | 5625960 | | | X | X | X | | | | | X | X | X | X | X | X | X | X | X | | | | | XXX | |
| 472 | трубка выхода системы ГВС из котла | 5627990 | X | X | X | X | | X | X | | | X | X | | X | X | | | | | | | | | XXX | |
| 473 | гайка G1/2 | 9950300 | X | X | X | X | | X | X | X | X | X | X | | X | X | | | | | | | | | XXX | |
| 474 | ниппель G1/2 | 5627980 | X | X | X | X | | X | X | X | X | X | X | | X | X | | | | | | | | | XXX | |
| 475 | труба холодной воды | 5628000 | X | X | X | X | | X | X | X | X | X | X | | X | X | | | | | | | | | XXX | |
| 478 | фильтр | 624480 | X | X | X | X | X | X | X | X | X | X | X | X | X | X | X | X | X | X | | | | | XXX | |
| 479 | кольцевая прокладка 20,35x1,78 | 5405190 | X | X | X | X | X | X | X | X | X | X | X | X | X | X | X | X | X | X | | | | | XXX | |
| 480 | газовая труба | 5628010 | X | X | X | X | | X | X | X | X | X | X | | X | X | | | | | | | | | XXX | |
| 481 | гайка G3/4 | 5628030 | X | X | X | X | | X | X | X | X | X | X | | X | X | | | | | | | | | XXX | |
| 490 | кран холодной воды с фильтром | 5625970 | X | X | X | X | X | X | X | X | X | X | X | X | X | X | X | X | X | X | | | | | XXX | |
| 491 | заглушка/фильтр в сборе | 624440 | X | X | X | X | | X | X | X | X | X | X | | X | X | | | | | | | B730 | YES | XXX | |
| 491 | заглушка/фильтр в сборе | 5637070 | X | X | X | X | | X | X | X | X | X | X | | X | X | | | | | | B729 | | | XXX | |
| 493 | ручка наполнения системы в сборе | 605660 | | | X | X | X | | | | | X | X | X | X | X | X | X | X | X | | | | | XXX | |
| 498 | кольцевая прокладка2056 | 400030 | | | X | X | | | | | | X | X | | X | X | | | | | | | | | XXX | |
| 510 | затвор ГВС | 600760 | X | X | X | X | | X | X | X | X | X | X | | X | X | | | | | | | | | XXX | |
| 511 | кольцевая прокладка 17,86x2,62 | 5404600 | X | X | X | X | X | X | X | X | X | X | X | X | X | X | X | X | X | X | | | | | XXX | |
| 516 | стержень | 5210670 | | | | | | X | X | X | X | X | X | X | X | X | | | X | X | | | | | XXX | |
| 517 | крепежный элемент трубы | 5407840 | X | X | X | X | X | X | X | X | X | X | X | X | X | X | X | X | X | X | | | | | XXX | |
| 518 | стержень панели управления | 5112040 | X | X | X | X | X | X | X | X | X | X | X | X | X | X | X | X | X | X | | | | | XXX | |
| 520 | регулятор подачи воздуха | 5112050 | | | | | | X | X | X | X | X | X | X | X | X | X | X | X | X | | | | | XXX | |
| 525 | устройство зажигания NAC-SIT 0504014 - цвет коричневый | 8419060 | X | X | X | X | X | X | X | X | X | X | X | X | X | X | X | X | X | X | | | | | XXX | |
| 525 | устройство зажигания (HONEYWELL) | 8510910 | X | X | X | X | X | X | X | X | X | X | X | X | X | X | X | X | X | X | | | | | XXX | |
| 525 | устройство зажигания | 8511560 | X | X | X | X | X | X | X | X | X | X | X | X | X | X | X | X | X | X | | | | | XXX | |
| 528 | датчик температуры (NTC) (накладной) | 8435360 | X | X | X | X | X | X | X | X | X | X | X | X | X | X | X | X | X | X | | | | | XXX | |
| 624 | датчик холла | 8435380 | | | X | X | X | | | | | X | X | X | X | X | X | X | X | X | | | | | XXX | |

| № Pos. | Описание | Коды/ Code | LUNA3 COMFORT 1.240 i | LUNA3 COMFORT 1.240 i | LUNA3 COMFORT 240 i | LUNA3 COMFORT 240 i | LUNA3 COMFORT 240i | LUNA3 COMFORT 1.240 Fi | LUNA3 COMFORT 1.240 Fi | LUNA3 COMFORT 1.310 Fi | LUNA3 COMFORT 1.310 Fi | LUNA3 COMFORT 240 Fi | LUNA3 COMFORT 240 Fi | LUNA3 COMFORT 240Fi | LUNA3 COMFORT 310 Fi | LUNA3 COMFORT 310 Fi | LUNA3 COMFORT 310Fi | LUNA3 COMFORT 240i | LUNA3 COMFORT 240Fi | LUNA3 COMFORT 310 Fi | LUNA3 COMFORT 310Fi | До серийного номера | Начиная с серийного номера | Взаимозаменяемость | Код новой детали | модели LUNA3 COMFORT |
|--------|-------------------------------------------------------------------------------------------------------------------------------------------------------------------------------------|---------------|-----------------------|-----------------------|---------------------|---------------------|--------------------|------------------------|------------------------|------------------------|------------------------|----------------------|----------------------|---------------------|----------------------|----------------------|---------------------|--------------------|---------------------|----------------------|---------------------|---------------------|----------------------------|--------------------|------------------|----------------------|
| | | | CSE451243580/1 | CSE451243582 | CSE452243580 | CSE452243581 | CSE452243582 | CSE45243580/1 | CSE45243582 | CSE455313580/1 | CSE455313582 | CSE456243580 | CSE456243581 | CSE456243582 | CSE456313580 | CSE456313581 | CSE456313582/3 | CSE452243583 | CSE456243583 | CSE456313584 | | | | | | |
| 634 | левая боковая крышка камеры сгорания | 5115960 | | | | | | X | X | X | X | X | X | X | X | X | X | | X | X | | | | | XXX | |
| 686 | обратный клапан/бай-пасс | 5663020 | X | X | | | | X | X | X | X | | | | | | | | | | | | | | XXX | |
| 732 | коническая пружина | 620210 | X | X | X | X | | X | X | X | X | X | X | | X | X | | | | | | | | | XXX | |
| 739 | поддон камеры сгорания | 5116660 | X | X | X | X | X | | | | | | | | | | | X | | | | | | | XXX | |
| 795 | конденсатосборник | 710447300 | | | | | | | X | | X | | | X | | | X | | X | X | | | | | XXX | |
| 808 | Уплотнение кольцевое 18X2 | 721311400 | | | | | | | | | | | | | | | | X | X | X | | | | | XXX | |
| 809 | Пружина | 711615000 | | | | | | | | | | | | | | | | X | X | X | | | | | XXX | |
| 999 | перемычка комнатного термостата | 8414540 | X | X | X | X | X | X | X | X | X | X | X | X | X | X | X | X | X | X | X | | | | XXX | |
| 999 | проводка: кабель питания | 8414620 | X | X | X | X | X | X | X | X | X | X | X | X | X | X | X | X | X | X | X | | | | XXX | |
| 999 | прводка от разъема платы CN1 к вентилятору, насосу и трехходовому клапану | 8512270 | | | | | | | | | | X | X | X | X | X | X | | X | X | | | | | XXX | |
| 999 | проводка низковольтная | 8512290 | | | | | | X | X | X | X | X | X | X | X | X | X | | X | X | | | | | XXX | |
| 999 | проводка | 8512300 | | | X | X | X | | | | | X | X | X | X | X | X | X | X | X | | | | | XXX | |
| 999 | проводка от разъема платы CN10 к клеммной колодке | 8512310 | X | X | X | X | X | X | X | X | X | X | X | X | X | X | X | X | X | X | X | | | | XXX | |
| 999 | прводка от разъема платы CN1 к насосу и трехходовому клапану | 8512330 | | | X | X | X | | | | | | | | | | | X | | | | | | | XXX | |
| 999 | проводка | 8512350 | X | X | X | X | X | | | | | | | | | | | X | | | | | | | XXX | |
| 999 | проводка от разъема платы CN7 | 8512380 | X | X | X | X | X | | | X | X | X | X | X | X | X | X | X | X | X | | | | | XXX | |
| 999 | прводка от разъема платы CN1 к вентилятору и насосу | 8512580 | | | | | | X | X | X | X | | | | | | | | | | | | | | XXX | |
| 999 | проводка от разъемов платы CN2 и CN11 к модулятору газового клапана, датчику температуры ГВС, гидравлическому прессостату, пневмореле, термостату перегрева, датчику температуры CO | 8512590 | | | | | | X | X | X | X | | | | | | | | | | | | | | XXX | |
| 999 | проводка: провода датчиков | 8512600 | X | X | | | | | | | | | | | | | | | | | | | | | XXX | |
| 999 | прводка от разъема платы CN1 к насосу | 8512610 | X | X | | | | | | | | | | | | | | | | | | | | | XXX | |
| 999 | | 8512620 | X | X | | | | | | | | | | | | | | | | | | | | | XXX | |
| 999 | проводка: кабель пульт.упр./ клемм.колодка | 8512770 | X | X | X | X | X | X | X | X | X | X | X | X | X | X | X | X | X | X | X | | | | XXX | |
| 999 | проводка: кабель пульт.упр./ клемм.колодка 2-х контакт. | 8512780 | X | X | X | X | X | X | X | X | X | X | X | X | X | X | X | X | X | X | X | | | | XXX | |
| 9999 | проводка заземления 1x0.75 + 5 коннекторов | 8419080 | X | X | X | X | X | X | X | X | X | X | X | X | X | X | X | X | X | X | X | | | | XXX | |

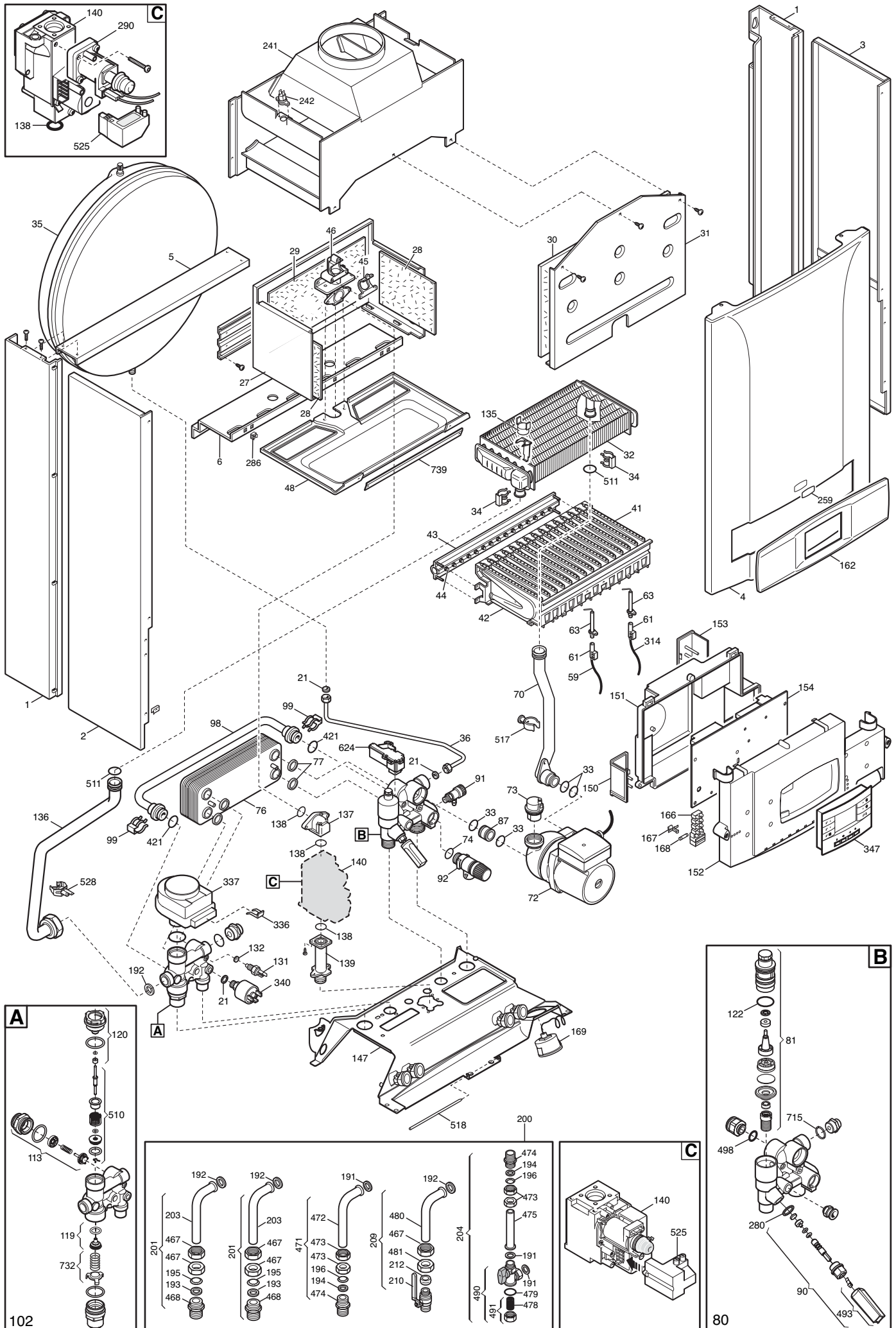
Tab 94



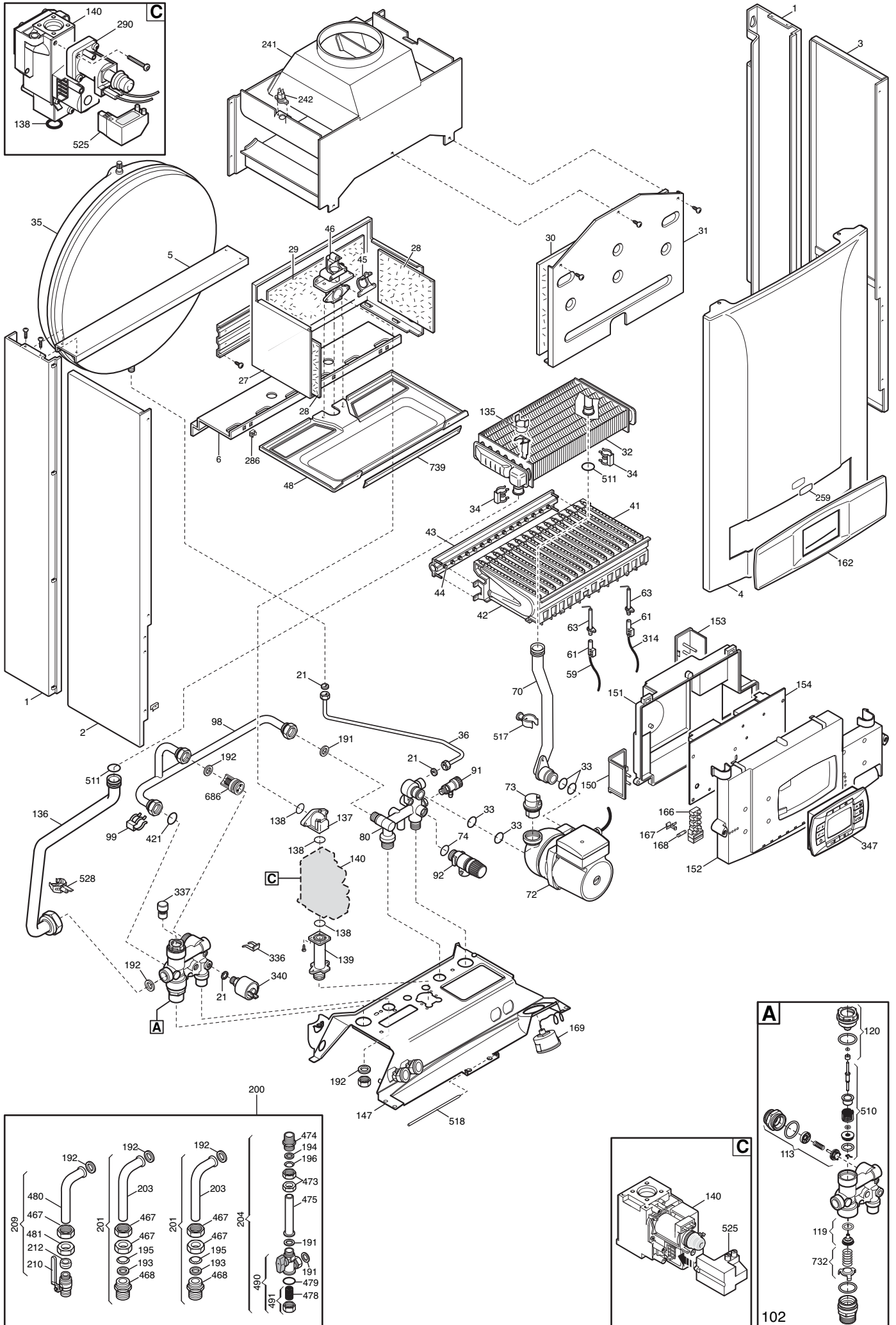
102

80

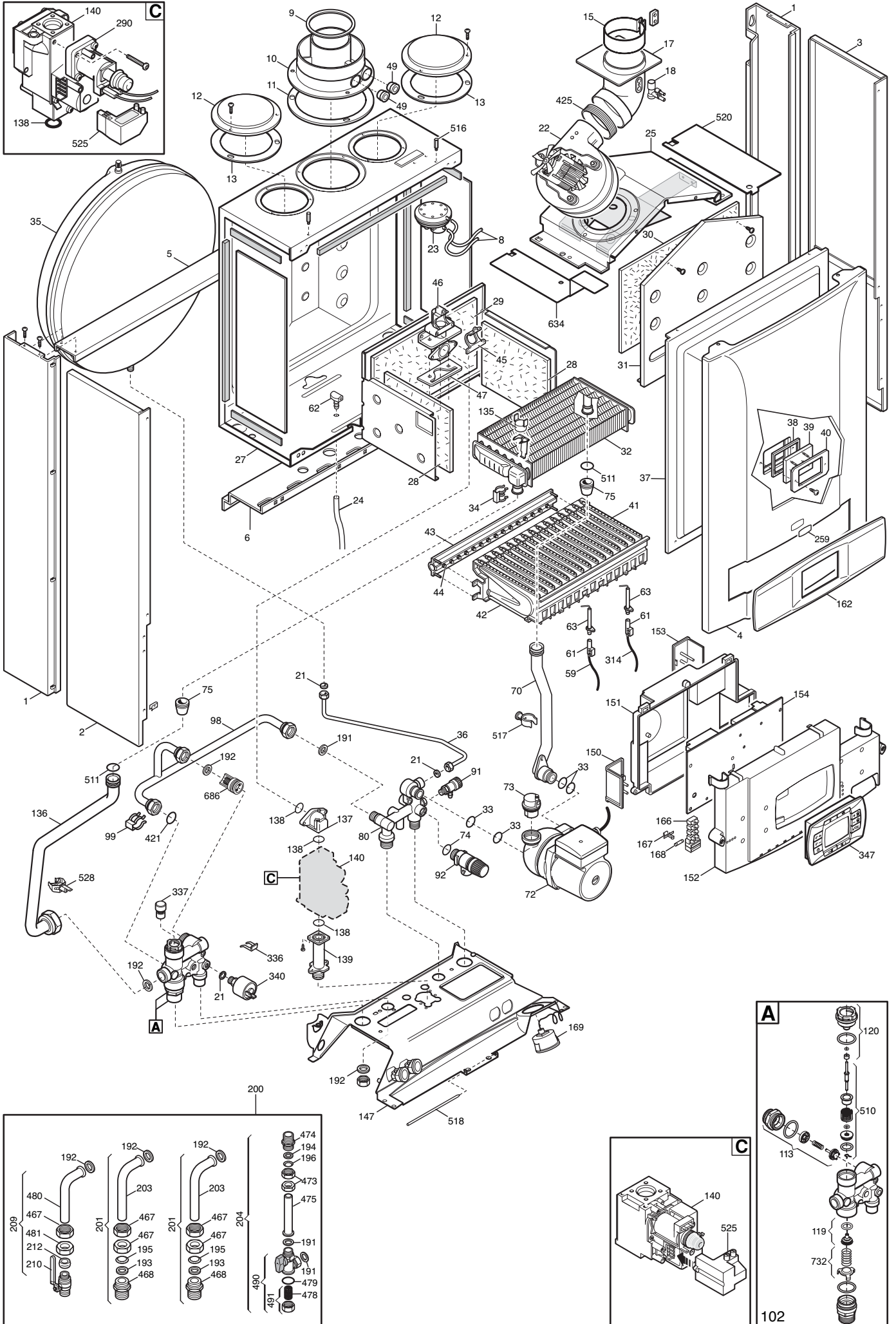
Tab 95

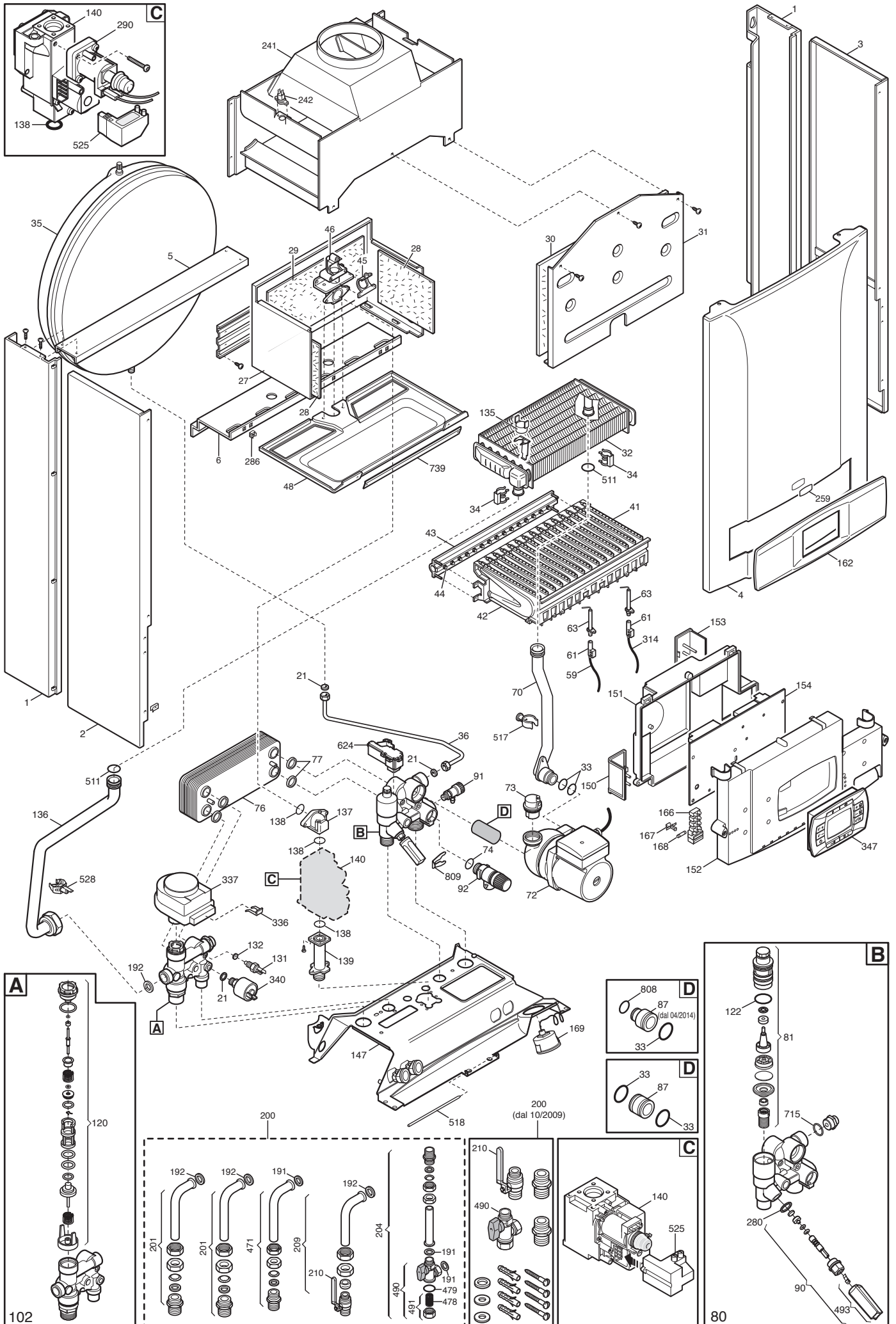


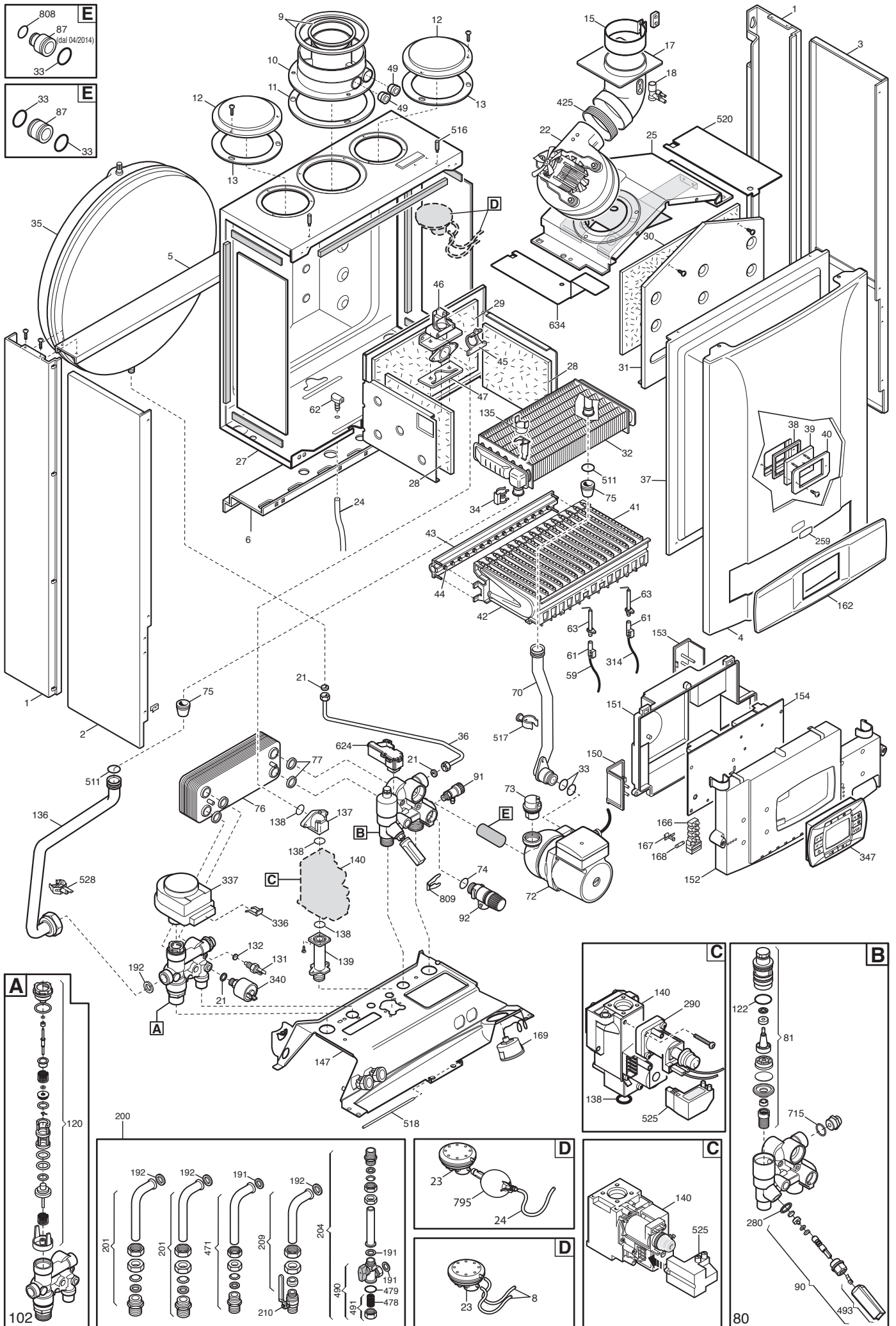
Tab 231



Tab 232









| Pos | Code | Description code | CSE451243580/1 1.240F1 | CSE451243582 1.240F1 | CSE452243580 240F1 | CSE452243581 240F1 | CSE452243582 240F1 | CSE45243580/1 1.240F1 | CSE45243582 1.240F1 | CSE45313580/1 1.310F1 | CSE45313582 1.310F1 | CSE456243580 240F1 | CSE456243581 240F1 | CSE456243582 240F1 | CSE456313580 310F1 | CSE456313581 310F1 | CSE456313582/3 310F1 | CSE452242583 240F1 | CSE452242583 240F1 | CSE456313584 310F1 | To serial number | From serial number | Interchan geable: |
|-----|---------|------------------------------------|---------------------------|-------------------------|-----------------------|-----------------------|-----------------------|--------------------------|------------------------|--------------------------|------------------------|-----------------------|-----------------------|-----------------------|-----------------------|-----------------------|-------------------------|-----------------------|-----------------------|-----------------------|------------------------|--------------------------|----------------------|
| 1 | 5681330 | SUPPORT FRAME | | • | • | | | • | • | | | | • | | | | | | | | B750 | | |
| 1 | 5681330 | SUPPORT FRAME | • | | • | | | • | | • | | • | | | • | | | | | | | | |
| 1 | 5683090 | SUPPORT FRAME | | | | | • | | | | | | • | | • | | • | • | • | | | | |
| 1 | 5683090 | SUPPORT FRAME | | • | | • | | | • | • | | | • | | | | | | | | | B751 | NO |
| 2 | 5116190 | LEFT PANEL | • | • | • | • | • | | | | | | | | | | | • | | | | | |
| 2 | 5681390 | LEFT PANEL | | | | | | • | • | • | • | • | • | • | • | • | • | | • | • | | | |
| 3 | 5116170 | RIGHT PANEL | • | • | • | • | • | | | | | | | | | | | • | | | | | |
| 3 | 5681380 | RIGHT PANEL | | | | | | • | • | • | • | • | • | • | • | • | • | | • | • | | | |
| 4 | 5115970 | FRONTAL PANEL LUNA3 | • | • | • | • | • | • | • | • | • | • | • | • | • | • | • | • | • | • | | | |
| 5 | 5110290 | BRACKET-UPPER SUPPORT | • | • | • | • | • | • | • | • | • | • | • | • | • | • | • | • | • | • | | | |
| 6 | 5109640 | BRACKET-LOWER SUPPORT | • | • | • | • | • | • | • | • | • | • | • | • | • | • | • | • | • | • | | | |
| 8 | 5408080 | PRESSURE SWITCH PIPE L=270 | | | | | | • | | • | | • | • | | • | | | | | | | | |
| 9 | 5108700 | RESTRICTOR-AIR INTAKE | | | | | | • | • | • | • | • | • | • | • | • | • | | • | • | | | |
| 10 | 5207060 | FLUE ADAPTOR | | | | | | • | • | • | • | • | • | • | • | • | • | | • | • | | | |
| 11 | 5407890 | GASKET ADAPTOR | | | | | | • | • | • | • | • | • | • | • | • | • | | • | • | | | |
| 12 | 5108690 | PLATE BLANKING | | | | | | • | • | • | • | • | • | • | • | • | • | | • | • | | | |
| 13 | 5407400 | SUCTION CAP GASKET | | | | | | • | • | • | • | • | • | • | • | • | • | | • | • | | | |
| 15 | 600530 | JOINT ASSEMBLY | | | | | | • | • | • | • | • | • | • | • | • | • | | • | • | | | |
| 17 | 5213750 | CONVEYOR BEND LUNA3 | | | | | | • | • | • | • | • | • | • | • | • | • | | • | • | | | |
| 18 | 5407050 | PRESSURE SENSING VENTURI | | | | | | • | • | | | • | • | • | | | | | • | | | | |
| 18 | 5413850 | PRESS.SENS.VENTURI SINGLE TAP | | | | | | | | • | • | | | | • | • | • | | | • | | | |
| 21 | 5402050 | WASHER-SEALING | • | • | • | • | • | • | • | • | • | • | • | • | • | • | • | • | • | • | | | |
| 22 | 5653850 | FAN - 80 | | | | | | • | • | | | • | • | • | | | | | • | | | | |
| 22 | 5655730 | FAN - 105 | | | | | | | | • | • | | | | • | • | • | | | • | | | |
| 23 | 628610 | PRESS.SWITCH ASS. 0,68mbar HONEYW. | | | | | | | | • | • | | | | • | • | • | | | • | | | |
| 23 | 628640 | PRESS.SWITCH ASS.1.2mbar HONEYW. | | | | | | • | • | | | • | • | • | | | | | • | | | | |

| Pos | Code | Description code | CSE451243580/1 1.240F | CSE451243582 1.240F | CSE452243580 240F | CSE452243581 240F | CSE452243582 240F | CSE455243580/1 1.240F | CSE455243582 1.240F | CSE455313580/1 1.310F | CSE455313582 1.310F | CSE456243580 240F | CSE456243581 240F | CSE456243582 240F | CSE456313580 310F | CSE456313581 310F | CSE456313582/3 310F | CSE452242583 240F | CSE46243583 240F | CSE46313584 310F | To serial number | From serial number | Interchan geable: | | |
|-----|-----------|--------------------------------|--------------------------|------------------------|----------------------|----------------------|----------------------|--------------------------|------------------------|--------------------------|------------------------|----------------------|----------------------|----------------------|----------------------|----------------------|------------------------|----------------------|---------------------|---------------------|------------------------|--------------------------|----------------------|------|-----|
| 23 | 710789900 | PRESSURE SWITCH ASSEMBLY HUBA | | | | | | | | | | | | | | | | | | | | | | | |
| 23 | 710790300 | FLUE PRESS.SWITCH 1,2mBAR HUBA | | | | | | | | | | | | | | | | | | | | | | | |
| 24 | 5407930 | PIPE - VALVE COMPENSATION | | | | | | | | | | | | | | | | | | | | B923 | | | |
| 24 | 5414320 | PIPE-VALVE COMPENS.4,5x8 L=170 | | | | | | | | | | | | | | | | | | | | | B924 | YES | |
| 24 | 5414320 | PIPE-VALVE COMPENS.4,5x8 L=170 | | | | | | | | | | | | | | | | | | | | | | | |
| 25 | 5681090 | CONVEYOR ASSEMBLY LUNA3 | | | | | | | | | | | | | | | | | | | | | | | |
| 27 | 5680950 | COMBUSTION CHAMBER ASS. 31KW | | | | | | | | | | | | | | | | | | | | | | | |
| 27 | 5681180 | COMBUSTION CHAMBER ASS. 24Kw | | | | | | | | | | | | | | | | | | | | | | | |
| 27 | 5681700 | COMBUST.CHAMBER ASSEMBLY ATM | | | | | | | | | | | | | | | | | | | | | | | |
| 28 | 5213190 | INSULATING PANEL | | | | | | | | | | | | | | | | | | | | | | | |
| 29 | 5213290 | INSULATION - REAR PANEL | | | | | | | | | | | | | | | | | | | | | | | |
| 30 | 5213310 | INSULATING PANEL | | | | | | | | | | | | | | | | | | | | | | | |
| 30 | 5213340 | INSULATING PANEL | | | | | | | | | | | | | | | | | | | | | | | |
| 31 | 5108030 | CONBUSTION CHAMBER FRONT PLATE | | | | | | | | | | | | | | | | | | | | | | | |
| 31 | 5111840 | PANEL-COMBUSTION CHAMBER 80 | | | | | | | | | | | | | | | | | | | | | | | |
| 31 | 5111850 | PANEL-COMB CHAMBER-105 | | | | | | | | | | | | | | | | | | | | | | | |
| 32 | 620860 | H2O/GAS EXCHANGER 24KW+CLIP | | | | | | | | | | | | | | | | | | | | | | | |
| 32 | 5680990 | EXCHANGER ASS. CLIP 31KW | | | | | | | | | | | | | | | | | | | | | | | |
| 32 | 5681190 | HEATING EXCHANGER H2O/GAS 24Kw | | | | | | | | | | | | | | | | | | | | | | | |
| 33 | 5403130 | O-RING 22 x 3 | | | | | | | | | | | | | | | | | | | | 1311 | | | |
| 33 | 710963000 | OR 21,5X3 EP70 TFL | | | | | | | | | | | | | | | | | | | | | | | |
| 33 | 710963000 | OR 21,5X3 EP70 TFL | | | | | | | | | | | | | | | | | | | | | 1312 | YES | |
| 34 | 5113650 | PRIMARY EXCHANGER FIXING CLIP | | | | | | | | | | | | | | | | | | | | | | | |
| 35 | 5608840 | EXPANSION VESSEL | | | | | | | | | | | | | | | | | | | | | C017 | | |
| 35 | 5625560 | VESSEL EXPANSION - 8L | | | | | | | | | | | | | | | | | | | | | C014 | | |
| 35 | 5625570 | VESSEL EXPANSION - 8L | | | | | | | | | | | | | | | | | | | | | | | |
| 35 | 5625570 | VESSEL EXPANSION - 8L | | | | | | | | | | | | | | | | | | | | | | C015 | YES |
| 35 | 5690740 | EXPANSION VESSEL 10 L | | | | | | | | | | | | | | | | | | | | | | | |
| 35 | 5690740 | EXPANSION VESSEL 10 L | | | | | | | | | | | | | | | | | | | | | | C018 | YES |



| Pos | Code | Description code | CSE451243580/1 1.240F1 | CSE451243582 1.240F1 | CSE452243580 240F1 | CSE452243581 240F1 | CSE452243582 240F1 | CSE455313380/1 1.240F1 | CSE455313382 1.310F1 | CSE455313382 1.310F1 | CSE456243580 240F1 | CSE456243581 240F1 | CSE456243582 240F1 | CSE456313380 310F1 | CSE456313381 310F1 | CSE456313382/3 310F1 | CSE452242583 240F1 | CSE456243583 240F1 | CSE456313584 310F1 | To serial number | From serial number | Interchan geable: | |
|-----|-----------|-------------------------------|---------------------------|-------------------------|-----------------------|-----------------------|-----------------------|---------------------------|-------------------------|-------------------------|-----------------------|-----------------------|-----------------------|-----------------------|-----------------------|-------------------------|-----------------------|-----------------------|-----------------------|------------------------|--------------------------|----------------------|-----|
| 70 | 5681020 | EXCHANGER/PUMP PIPE ASSEMBLY | | | | | | • | • | • | • | • | • | • | • | | | | | | B719 | | |
| 70 | 5688900 | PIPE ASSEMBLY PUMP/EXCHANGER | | | | | | • | | • | | | • | | | • | | | | | | | |
| 70 | 5688900 | PIPE ASSEMBLY PUMP/EXCHANGER | | | | | | • | | • | | | • | | | | | | | | | B720 | NO |
| 70 | 711192200 | PUMP/EXCHANGER PIPE ASSEMBLY | | | | | | | | | | | | | | | • | • | • | | | | |
| 72 | 5659550 | PUMP UPS 15-60 AO & CONNECTOR | | | | | | | • | • | | | | • | • | • | | | | | | | |
| 72 | 5661200 | PUMP UP 15-50/CONNECTOR | • | • | • | • | • | • | • | • | • | • | • | • | • | • | • | • | • | | | | |
| 73 | 607290 | AUTOMATIC AIR VENT | • | • | • | • | • | • | • | • | • | • | • | • | • | • | • | • | • | | | | |
| 74 | 5406360 | O-RING 14X1,78 EP | • | • | • | • | • | • | • | • | • | • | • | • | • | • | • | • | • | | | | |
| 75 | 5404670 | GROMMET - PIPE ASSEMBLY | | | | | | • | • | • | • | • | • | • | • | • | | • | • | | | | |
| 76 | 5655780 | DHW PLATE EXCHANG. 16 PLATES | | | | | | | | | | | | • | • | | | | | | B649 | | |
| 76 | 5686670 | DHW PLATE EXCHANGER 12 PLATES | | | • | • | • | | | | • | • | • | | | | | | | | | | |
| 76 | 5686680 | DHW PLATE EXCHANGER 14 PLATE | | | | | | | | | | | | | | • | | | | | | | |
| 76 | 5686680 | DHW PLATE EXCHANGER 14 PLATE | | | | | | | | | | | | • | • | | | | | | | B730 | YES |
| 76 | 5686690 | DHW PLATE EXCHANGER 16 PLATES | | | | | | | | | | | | • | • | | | | | | B729 | B650 | YES |
| 76 | 711612800 | DHW PLATE EXCHANGER 12 PLATES | | | | | | | | | | | | | | | • | • | | | | | |
| 76 | 711613000 | DHW PLATE EXCHANGER 14 PLATES | | | | | | | | | | | | | | | | | • | | | | |
| 77 | 5404520 | DHW PLATE EXCHANGER GASKET | | | • | • | • | | | | • | • | • | • | • | • | | | | | | | |
| 77 | 711613500 | DHW PLATE EXCHANGER OR | | | | | | | | | | | | | | | • | • | • | | | | |
| 80 | 5655650 | HYDRAULIC INLET ASSY | • | • | | | | • | • | • | | | | | | | | | | | | | |
| 80 | 5680920 | GROUP -15.0553- | | | • | • | | | | | • | • | | • | • | | | | | | | | |
| 80 | 5693860 | HYDR.INLET GR.WITH BYPASS | | | | | • | | | | | | • | | | • | | | | | | | |
| 80 | 711608300 | HYDRAULIC INLET GROUP | | | | | | | | | | | | | | | • | • | • | | | | |
| 81 | 620340 | FILTER-TRASDUC GROUP -100078- | | | • | • | • | | | | • | • | • | • | • | • | • | • | • | | | | |
| 87 | 631680 | PUMP CONNECTING ELEMENT/OR | • | • | • | • | • | • | • | • | • | • | • | • | • | • | | | | | | 1302 | YES |
| 87 | 5210710 | PUMP CONNECTING ELEMENT | • | • | • | • | • | • | • | • | • | • | • | • | • | • | | | | | | 1301 | |
| 87 | 711652300 | PUMP CONNECTING ELEMENT/OR | | | | | | | | | | | | | | | • | • | • | | | | |
| 90 | 611930 | FILLING GROUP | | | • | • | • | | | | • | • | • | • | • | • | • | • | • | | | | |
| 91 | 5652030 | DRAINING TAP | | | • | • | • | | • | • | • | • | • | • | • | • | • | • | • | | | | |
| 92 | 9951170 | SAFETY VALVE 3 BAR | | | • | • | • | | • | • | • | • | • | • | • | • | | | | | | | |

LUNA3 COMFORT

| Pos | Code | Description code | CSE451243580/1 1.240F1 | CSE451243582 1.240F1 | CSE452243580 240F1 | CSE452243581 240F1 | CSE452243582 240F1 | CSE455243580/1 1.240F1 | CSE455243582 1.240F1 | CSE455313380/1 1.310F1 | CSE455313382 1.310F1 | CSE456243580 240F1 | CSE456243581 240F1 | CSE456243582 240F1 | CSE456313380 310F1 | CSE456313381 310F1 | CSE456313382/3 310F1 | CSE452242583 240F1 | CSE456243583 240F1 | CSE456313584 310F1 | To serial number | From serial number | Interchan geable: |
|-----|---------|--------------------------------|---------------------------|-------------------------|-----------------------|-----------------------|-----------------------|---------------------------|-------------------------|---------------------------|-------------------------|-----------------------|-----------------------|-----------------------|-----------------------|-----------------------|-------------------------|-----------------------|-----------------------|-----------------------|------------------------|--------------------------|----------------------|
| 150 | 5412180 | TERMINAL BLOCK COVER | • | • | • | • | • | • | • | • | • | • | • | • | • | • | • | • | • | • | | | |
| 151 | 5412250 | BOX COVER LUNA3 | • | • | • | • | • | • | • | • | • | • | • | • | • | • | • | • | • | • | | | |
| 152 | 5412490 | LUNA3 COMFORT CONTROL PANEL | • | • | • | • | • | • | • | • | • | • | • | • | • | • | • | • | • | • | | | |
| 153 | 5407660 | PANEL - ACCESS | • | • | • | • | • | • | • | • | • | • | • | • | • | • | • | • | • | • | | | |
| 154 | 5687020 | PCB LUNA3 COMFORT | • | • | • | • | • | • | • | • | • | • | • | • | • | • | • | • | • | • | | | |
| 162 | 5682660 | COVER ASSEMBLY | • | • | • | • | • | • | • | • | • | • | • | • | • | • | • | • | • | • | | | |
| 166 | 8421590 | TERMINAL BLOCK | • | • | • | • | • | • | • | • | • | • | • | • | • | • | • | • | • | • | | | |
| 167 | 5405340 | FUSE HOLDER | • | • | • | • | • | • | • | • | • | • | • | • | • | • | • | • | • | • | | | |
| 168 | 9950580 | FUSE | • | • | • | • | • | • | • | • | • | • | • | • | • | • | • | • | • | • | | | |
| 169 | 9951650 | MANOMETER D.40 | • | • | • | • | • | • | • | • | • | • | • | • | • | • | • | • | • | • | | | |
| 191 | 5408970 | WASHER - SEALING G1/2 | • | • | • | • | • | • | • | • | • | • | • | • | • | • | • | • | • | • | | | |
| 192 | 5404650 | SEALING WASHER G 3/4 | • | • | • | • | • | • | • | • | • | • | • | • | • | • | • | • | • | • | | | |
| 193 | 5400940 | RUBBER GASKET G 3/4 | • | • | • | • | • | • | • | • | • | • | • | • | • | • | • | • | • | • | | | |
| 194 | 5400950 | RUBBER GASKET G 1/2 | • | • | • | • | • | • | • | • | • | • | • | • | • | • | • | • | • | • | | | |
| 195 | 5101880 | METAL RING G 3/4 | • | • | • | • | • | • | • | • | • | • | • | • | • | • | • | • | • | • | | | |
| 196 | 5101890 | METAL RING G 1/2 | • | • | • | • | • | • | • | • | • | • | • | • | • | • | • | • | • | • | | | |
| 200 | 5626010 | CONNECTION ASSEMBLY | • | • | • | • | • | • | • | • | • | • | • | • | • | • | • | • | • | • | | | |
| 200 | 5628320 | CONNECTION ASSEMBLY | | | | | | | • | • | | | | | | | | | | | | | |
| 201 | 5625950 | CONNECTION HEATING ASSEMBLY | • | • | • | • | • | • | • | • | • | • | • | • | • | • | • | • | • | • | | | |
| 203 | 5628020 | CONNECTING PIPE | • | • | • | • | • | • | • | • | • | • | • | • | • | • | • | • | • | • | | | |
| 204 | 5625980 | CONNECT.SANITARY AND INLET TAP | • | • | • | • | • | • | • | • | • | • | • | • | • | • | • | • | • | • | | | |
| 209 | 5627620 | CONNECTION GAS INLET TAP | • | • | • | • | • | • | • | • | • | • | • | • | • | • | • | • | • | • | | | |
| 210 | 9950830 | GAS TAP | • | • | • | • | • | • | • | • | • | • | • | • | • | • | • | • | • | • | | | |
| 212 | 5408330 | BICONIC GASKET | • | • | • | • | • | • | • | • | • | • | • | • | • | • | • | • | • | • | | | |
| 241 | 5669470 | AIR CHAMBER ASSEMBLY | • | • | • | • | • | • | • | • | • | • | • | • | • | • | • | • | • | • | | | |
| 242 | 606930 | FLUE SAFETY THERMOSTAT 60C | • | • | • | • | • | • | • | • | • | • | • | • | • | • | • | • | • | • | | | |
| 259 | 5681120 | BRAND BAXI LUNA3 | • | • | • | • | • | • | • | • | • | • | • | • | • | • | • | • | • | • | | | |
| 280 | 5207730 | GASKET 14,2X18X1,5 | | | • | • | • | | | | | • | • | • | • | • | • | • | • | • | | | |
| 286 | 8240530 | NUT M5 | • | • | • | • | • | | | | | | | | | | | • | | | | | |

